

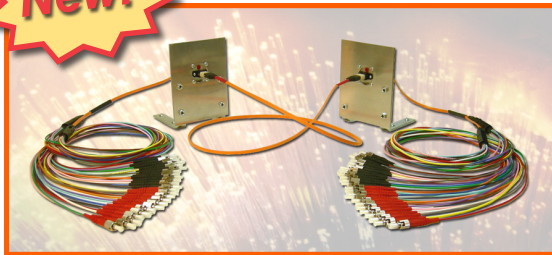
Copper and Fiber Optic Data Network Cables

Over 4,000 Cable Designs In-House!

ESL provides all configurations of copper and fiber optic network cable assemblies. MTP®/MPO fiber fan-out cables are our specialty!



New!



End to end view of 24-fiber MTP trunk and fanout Cable System



SC Simplex Terminations



LC Duplex Terminations



SC Duplex Terminations



FDDI Terminations



Electro Standards Laboratories
ADVANCED SYSTEMS DESIGN & SERVICES
 36 Western Industrial Drive
 Cranston, RI 02921



Electro Standards Laboratories
ADVANCED SYSTEMS DESIGN & SERVICES

Data Network Switches
 & Cables for all of
 Today's Applications



**Search by
 product function
 on WebSite!**



Schedule
 Contract GS-35F-0286V

Electro Standards Laboratories
 36 Western Industrial Drive
 Cranston, RI 02921
 Tel: (401) 943-1164
 Fax: (401) 946-5790
 E-mail: eslab@ElectroStandards.com

www.ElectroStandards.com

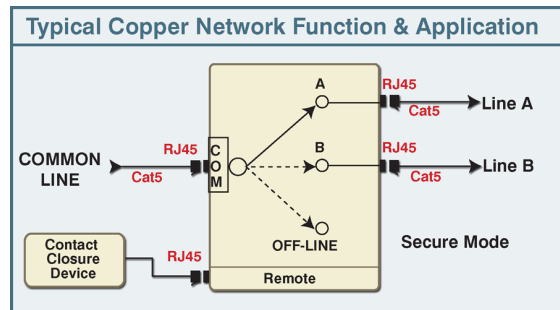
PathWay Remotely Control-
able Data Network Switches
Flexible Remote Programming!



Hundreds of configurations!

Automatic Fallback, IP Addressable, Code Operated, Automatic Sensing, KVM, CAT5, CAT5e, and more!

- Standard or designed to your specs
- Switch position & continuity maintained in event of power loss
- Control via Contact Closure, Trigger Characters, Computer, or Web
- Multiple channels and interfaces
- Desktop, Rackmount, or Modular
- All switch functions available



PathWay 7008 RJ45 CAT5 A/B/Off-Line Modular Switch

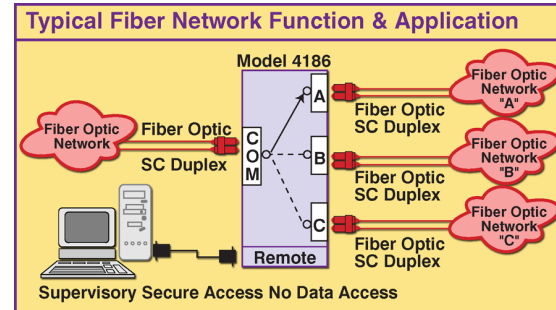
QuickSwitch® Automatic Fiber
Optic Switches
*The Last Mile Solution! Switch Fiber
Optic Peripherals & Networks*



Outstanding functionality!

Auto Fallback, Switch/Converters, Multimode & Single Mode, Secure Off-Line Position!

- Multiple fiber optic networks accessed from one computer
- Isolation between devices and networks insured
- Speeds to Gigabyte
- SC, ST, LC, ESCON interfaces
- Password protection for security
- Desktop, Rackmount, or Modular
- Custom packaging available



QuickSwitch® 4186 Fiber Optic SC Duplex Interface A/B/C Switch

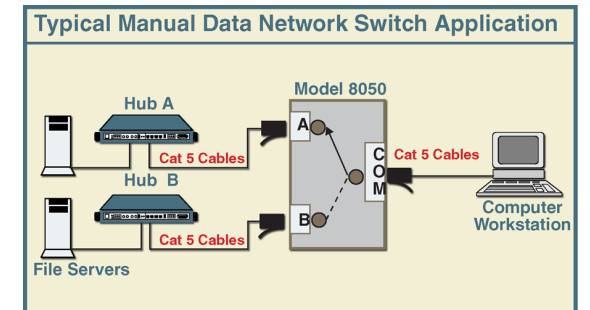
**Low Cost Manual Data Network
Switches**
*Reduce Network Downtime
by Switching to Backup!*



Switches for every application!

RS232, CAT5, CAT5e, Coaxial, KVM, and more!

- Standard or designed to your specs
- High-Density switch systems designed to save space
- Ruggedized switches for extreme environments
- Commercial Off-The-Shelf (COTS)
- Mix & match switch functions in one rack
- Desktop, Rackmount or Modular
- All connector interfaces
- Custom length installation cables



Model 8050 RJ45 CAT5 A/B Switch