

## **Fiber** <sup>485/422</sup> **Model 4175 Very High Speed Ruggedized ST Duplex Fiber-to-Multi-Point RS485/422 Interface Converter**

### ▪ Ideal for RS485 Multi-Point Applications and Communications to Remote Sites

The Model **Fiber 485/422** 4175 is a high speed ruggedized ST Duplex Fiber to RS485/422 interface converter from Electro Standards Laboratories. Typical operating speeds are up to 5 Mbps for RS485/422 to fiber conversion. When operating in RS485/422 mode, the converter can be configured for 2-wire half duplex or 4-wire full duplex operation. This converter provides an industrial solution for applications requiring a single point-to-point or a **multi-point communications link** over short and long distances. Typical applications include PC to PC long distance communications, factory automation, multi-drop data collection devices, barcode readers, time clocks, scales, data entry terminals, ATMs, toll booths and serial communications in harsh environments. The Model 4175 is designed to operate from -40°C to +85°C and is a member of Electro Standards Laboratories rugged community media converter family. The unit features ESD protection circuitry on all receivers and transmitters for RS485/422 interface. The unit's power input is protected from transients and features 3kVDC isolation to prevent system ground loops. It can be powered from a wide input range of 10VDC-36VDC, with models also available for other voltage ranges such as 4.5VDC-9VDC and 19VDC-72VDC. Other features include user selectable fiber polarity, and also TX, RX and Power indicator LEDs.



### **SPECIFICATIONS:**

#### Fiber Interface:

Connectors: Fiber Optic ST Duplex  
TX Power: 0.5 dBm  
RX Sensitivity: -27.5 dBm  
Optical Budget: 15 dB  
Max. Link Distance with 62.5/125 mm fiber:  
5.35 km at up to 5 Mbps, 25°C  
3.75 km at up to 5 Mbps, -40°C to +85°C  
Wavelength: 820 nm/850 nm, multimode  
Fiber Size: 50/125 μm, 62.5/125 μm, 100/140 μm

#### Fiber Polarity:

Logical 1 = Light ON/OFF: Jumper Selectable

#### Copper Interface:

Connectors: DB9, Female  
Type: RS485 (2-wire/4-wire)  
Terminations: RS485 120 Ohm jumper selectable

#### Bit Rate (nom.):

RS485/422 0 to 5 Mbps

#### Network Configurations:

RS485/422 Point-to-Point  
**Multi-Point** (Default ~280 uSec TX  
disable time)

(User configurable TX disable time via a single  
thru-hole resistor)

#### Indicators:

LEDs: TXD, RXD, PWR

#### Power:

Input Power: 10VDC-36VDC std, 4.5VDC-9VDC,  
19VDC-72VDC, Others at 1.5W.

Isolation: 3 kVDC

#### Operating Environment:

-40°C to +85°C

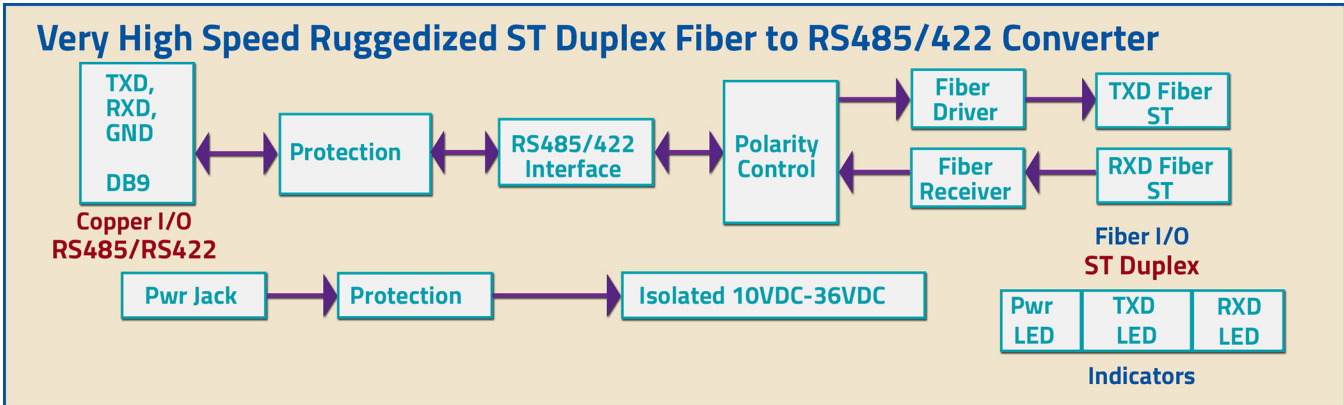
#### Model 4175 Mechanical (Desktop Unit):

Model / Cat No: 4175 / 538705

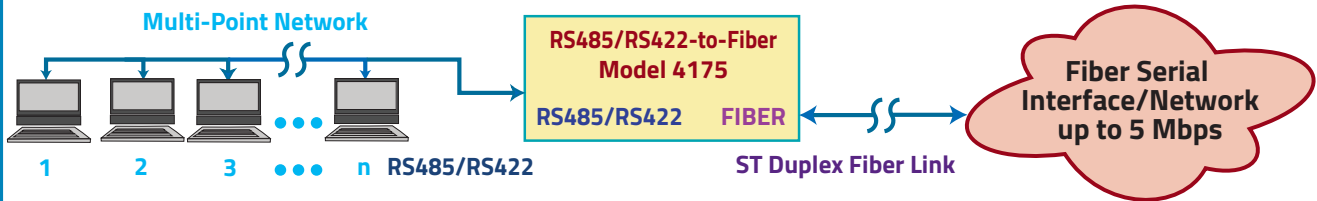
Size: 5" x 4.25" x 1.4"

Weight: 10.1 oz (286g)

**Fiber<sup>485/422</sup> Model 4175 Very High Speed Ruggedized ST Duplex Fiber-to-Multi-Point RS485/422 Interface Converter**

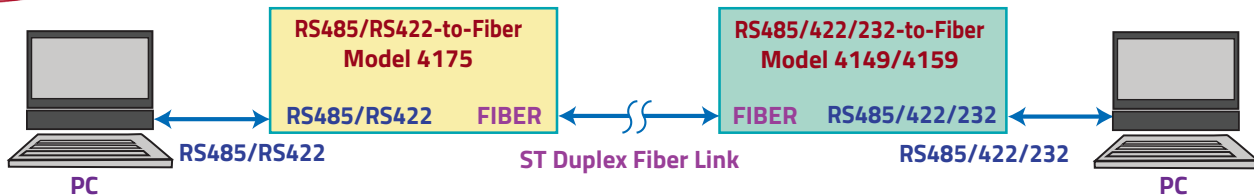


**Fiber<sup>485/422</sup> Model 4175 RS485/RS422 Multi-Point Application:**



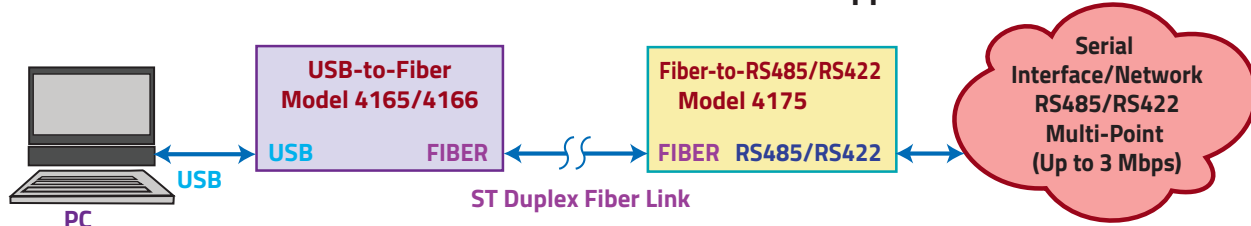
**Isolated PC RS485/RS422 communications to fiber serial interface/network.**

**Fiber<sup>485/422</sup> Model 4175 to Model 4149/4159 Application:**



**Point-to-Point Isolated PC RS485/RS422 Communications.**

**FiberUSB Model 4165/4166 to Fiber485/422 Model 4175 Application:**



**Isolated PC USB to RS485/RS422 communications serial interface/network.**