

## QuickSwitch® 6292 Single Channel LC Duplex A/B/C Switch, Single Mode with Telnet

- **IP Addressable For Critical Network Alternate-Path Switching!**
- **Ideal for Commercial-Off-The-Shelf (COTS) purchase applications.**

### INTRODUCTION

The QuickSwitch® 6292 Single Channel LC Duplex A/B/C Switch, Single Mode with LAN Telnet Access allows the user the capability of sharing a single port LC Duplex interface device, connected to the "COMMON" port, among three other devices, connected to the "A", "B" and "C" ports. The QuickSwitch® 6292 is enclosed in a 1U, full rack size, all metal black chassis designed to fit in a standard 19" rack.

Remote access can be accomplished using an Ethernet 10/100Base-T connection via Telnet Commands.

Users can then monitor status, lockout front panel pushbutton control, and control switch position.

### FEATURES:

- The switch ports are transparent to all data.
- All fiber signals are switched via break-before-make MEMS-based mirror/prism switch technology.
- MEMS mirror switch supports OC12 speeds of 622 Mbps.
- Switch maintains last set position on power loss and continues to pass data.
- Front panel pushbutton control.
- Control of the switch position from a 10/100Base-T LAN Ethernet environment.
- Remote Control Telnet Command Interface that allows the user to control switch position, lockout front panel operations, and obtain switch status.
- Front panel LED's display present position and power status.
- **All A, B, C, and COM ports are LC Duplex, Single Mode, (SMF-28), 9/125 micron, and support a wavelength of 1310 nm or 1550 nm.**
- The fiber ports are configured per TIA/EIA-568-B.3, where the TX of the COM port is routed to the RX of the A/B ports and vice versa.
- Custom length rigorously tested and certified LC duplex fiber optic cables available for your switch installation.
- **Municipalities, schools, government: This product is on GSA Schedule!**



### SPECIFICATIONS:

**PORT CONNECTORS:** (4) LC Duplex connectors labeled A, B, C, and COMMON.

**WAVELENGTH:** 1310 nm and 1550 nm.

**CONTROL:** (3) Pushbuttons allow selection of switch position.

**DISPLAY:** (3) Red LED's display switch position and power status.

**SUPERVISORY REMOTE PORT:** (1) RJ45 (F) connector accepts 10/100 BASE-T LAN Ethernet (TELNET command interface).

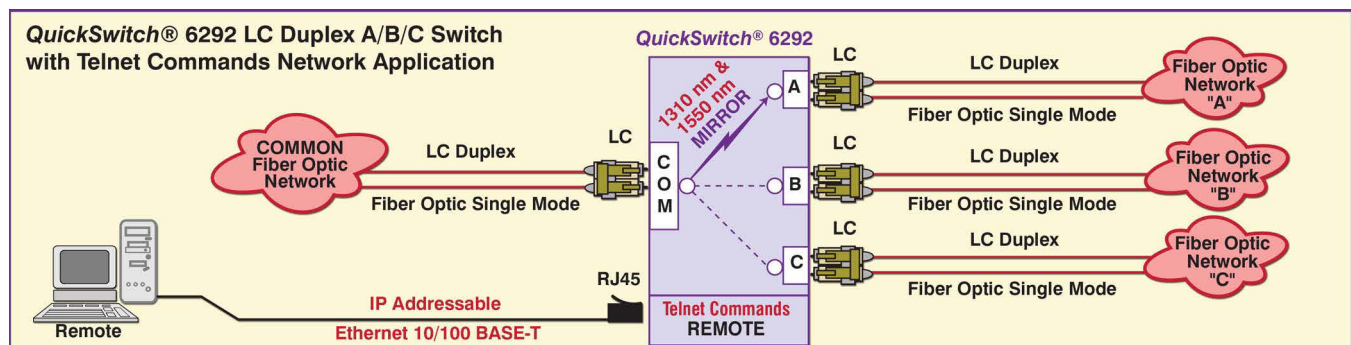
**POWER:** UL approved 100VAC-240VAC 50Hz-60Hz wall mount power module supplies 12VDC 500 mA to the unit. Has 2-prong, US, non-polarized plug. Replacement power modules may be ordered using ESL Cat No. 516682.

**DIMENSIONS:** Standard rackmount, 19.0" W x 1.75" H x 8.66" D. (48.3 x 4.4 x 22.0 cm)

**WEIGHT:** Approximately 4.4 lbs. (2.0 kg)

### WIDE RANGE POWER OPTION AVAILABLE:

(Cat No 517277) **CE, RoHS, and UL** listed table mount power module, 100VAC-240VAC, 50Hz-60Hz for use in place of standard power module that is included with the unit. Has IEC 60320 C14 inlet. **Ideal for international applications.**





**Electro Standards Laboratories**

ADVANCED SYSTEMS DESIGN & SERVICES

# CUSTOM FIBER CABLE ORDER WORKSHEET

## Custom Fabricated Fiber Optic Cables For Your Network Switch Installation.

ESL Custom Fabricated Fiber Optic Cable Assemblies are of the highest quality available.

All Cables are expertly polished and 100% tested for low insertion loss and back reflection.

These custom cables use the highest quality fiber optic cable material and our connectors are all brand name connectors, AMP, Molex, Sincor.

Our cable assembly clean room is designed for quick turn-around for standard or special requirements.

We have a specially trained team of dedicated experienced assemblers ready to meet all your requirements.

## To Order Fiber Optic Cables

- **By Phone:** Call 1-401-943-1164 for technical assistance.
- **On Line:** <http://www.electrostandards.com/Products-Custom/Fiber-Optic-Cable/>
- **By Fax:** Please fill out form completely and fax to Electro Standards Laboratories at 1-401-946-5790. If you need assistance please don't hesitate to call us.

Select your "A" and "B" connector type by placing a check mark next to the appropriate connector, then select the appropriate categories for your fiber optic cable requirement.

### Connector "A" Information

#### TYPE

- ST
- SC
- SC Duplex
- FC
- FDDI
- ESCON
- LC
- MTRJ
- MTP
- MTP  1x12  2x12  3x12
- SMA905
- SMA906
- NONE (Pigtail)
- Other \_\_\_\_\_

#### Polarity

- Female
- Male

### Connector "B" Information

#### TYPE

- ST
- SC
- SC Duplex
- FC
- FDDI
- ESCON
- LC
- MTRJ
- MTP
- MTP  1x12  2x12  3x12
- SMA905
- SMA906
- NONE (Pigtail)
- Other \_\_\_\_\_

#### Polarity

- Female
- Male

### Length \_\_\_\_\_

- in Meters
- in Feet

#### Mode

- Single Mode
- Multimode

#### Fire Rating

- PVC Riser
- Plenum

#### Core Size

- 50/125µm
- 62.5/125µm
- 9/125µm
- Other \_\_\_\_\_

#### Cable Type

- Simplex
- Duplex
- Breakout
- Distribution
- Other \_\_\_\_\_

Name \_\_\_\_\_  
 Title \_\_\_\_\_  
 Company \_\_\_\_\_  
 Address \_\_\_\_\_  
 State \_\_\_\_\_ Zip \_\_\_\_\_  
 Email \_\_\_\_\_

Phone \_\_\_\_\_  
 Fax \_\_\_\_\_  
 P.O. # \_\_\_\_\_  
 Quantity \_\_\_\_\_  
 Date \_\_\_\_\_ Ref.# \_\_\_\_\_  
 Total # of pgs. Faxed \_\_\_\_\_

