

## PathWay® Model 7341R Single Channel RJ45 Cat5e A/B Switch, with Telnet and GUI Remote Control

### ▪ Dual (Redundant) Power Supplies for increased reliability

#### INTRODUCTION

The PathWay® Model 7341R Single Channel RJ45 Cat5e A/B Switch with Telnet and GUI allows the user the capability of sharing a single RJ45 interface device, connected to the "COMMON" port, among two other devices, connected to the "A" and "B" ports. Model 7341 is enclosed in a 1U, full rack size, all metal black chassis designed to provide EMI/RFI shielding and fit in a standard 19" rack. Remote access can be accomplished using an Ethernet 10/100Base-T connection with either a Telnet or GUI Session. Proper authentication is required for remote access via the 10/100Base-T connection. Users can then monitor status, lockout front panel pushbutton control, and control switch position.

#### FEATURES:

- Allows quick connection to any one of two RJ45 devices from one COMMON device.
- The switch ports are transparent to all data.
- All (8) pins of the RJ45 interface are switched via break-before-make electromechanical relays.
- Front panel pushbutton control.
- Switch maintains last set position on power loss and continues to pass data.
- Control of the switch position from a 10/100Base-T LAN Ethernet environment. IP Addressable!
- Remote Control Telnet Command Interface or Graphical User Interface that allows the user to control switch position, lockout front panel operations, and obtain switch status.
- Remote Control of the switch is password protected.
- Front panel LED's display present position and power status.
- **Cat5e compliance.**
- **Redundant Power Supplies help reduce downtime due to power loss. Two power supplies are included.**
- Attractive all metal black box packaging provides EMI/RFI shielding.
- Custom length RJ45 cables available for your switch installation.

#### For a unit with one Power Supply

see Model 7341, Cat. No. 307341.



#### SPECIFICATIONS:

**PORT CONNECTORS:** (3) RJ45(F) connectors, A, B, and COMMON.

**COMPLIANCE:** Interface meets or exceeds Cat 5e performance.

**CONTROLS:** (1) Pushbutton to select A or B.

**DISPLAY:** (2) Red LED's display switch position and indicate power presence.

**SUPERVISORY REMOTE PORT:** (1) RJ45 female connector on rear panel accepts Ethernet 10/100Base-T connection and either TELNET commands or Graphical User Interface for remote operation.

**POWER:** (2) UL approved 100VAC-240VAC, 50Hz-60Hz wall mount power module supplies 12 VDC, 500 mA to the unit. Has 2-prong, US, non-polarized plug.

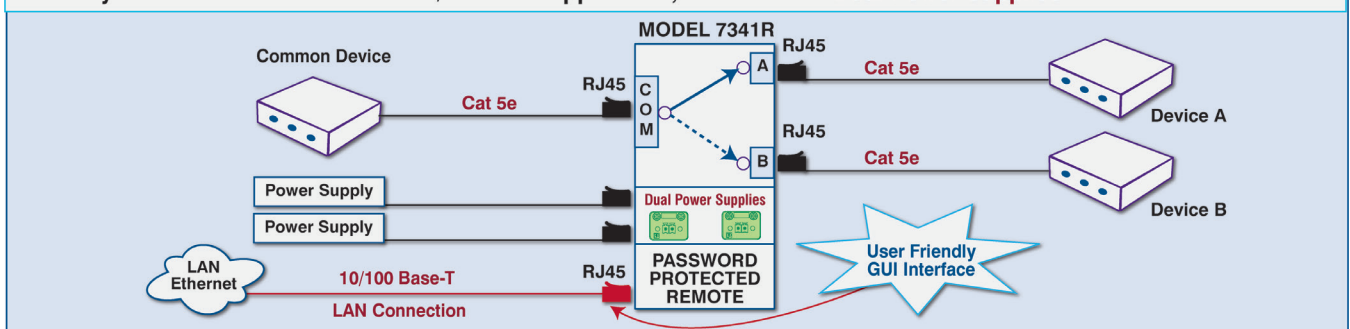
**DIMENSIONS:** 19.0" W x 1.75" H x 8.18" D.  
(48.3 x 4.4 x 20.8 cm)

**WEIGHT:** Approximately 4.3 lbs. (2.0 kg)

#### WIDE RANGE POWER OPTION AVAILABLE:

(Cat No 517277) CE, RoHS, and UL listed table mount power module, 100VAC-240VAC, 50Hz-60Hz for use in place of standard power module that is included with the unit. Has IEC 60320 C14 inlet. **Ideal for international applications.**

#### PathWay® Model 7341R RJ45 Cat5e A/B Switch Application, Telnet & GUI: Dual Power Supplies



## UTILIZING THE USER-FRIENDLY REMOTE GRAPHICAL USER INTERFACE SOFTWARE

To connect to the switch from a workstation or computer having access to the LAN that the Model 7341R LAN port is connected to, simply launch a standard web browser and type in the appropriate IP address. The Java Applet will be automatically uploaded from the switch upon connection. The environment requirement for the GUI is Java 1.7 and above.

### 10/100BASE-T LAN SETUP

#### Network Setup

The switch is configured from the factory to use DHCP to automatically get its IP address from a DHCP server on the local area network when connected to the network and powered up. Therefore, a DHCP server is needed on the local area network for the initial configuration. After that, the switch can be configured to use a static IP address. To find the IP address of a switch that it has gotten from the DHCP server, or to reconfigure the IP Address of the switch, use the Lantronix® DeviceInstaller application.

#### Getting DeviceInstaller

DeviceInstaller requires Microsoft's .NET Framework version 4.0 or higher. If the .NET Framework is not already installed, it must first be installed. The .NET Framework can be downloaded from Microsoft's website, either as a web install, or as a standalone installation. The latest version of DeviceInstaller can be downloaded from Lantronix's website.

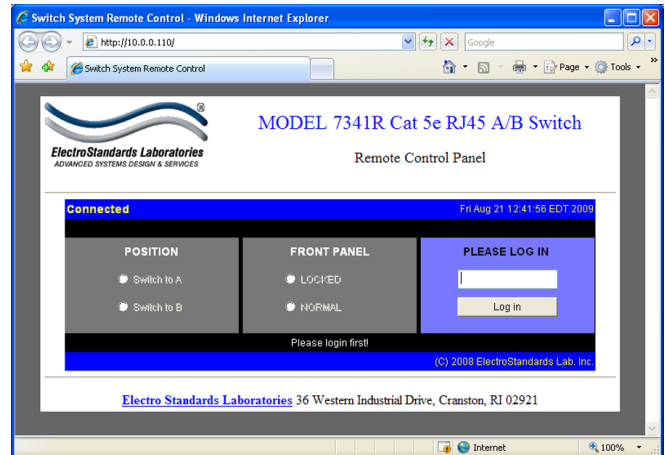


Figure 1: GUI in a Standard Web Browser

#### SOFTWARE FEATURES:

- Access User Interface via standard web browser.
- **Easy to use, simple point and click operation.**
- Remotely access to control or monitor the Model 7341.
- Remote control of the switch is password protected.
- Users can change the switch's IP address.
- LAN access gives users across the LAN or over the Internet access to control if user network is configured accordingly.

#### LOGGING into the GUI

Once logged in, the user can perform one of several actions:

- Change the switch position.
- Lockout control of the switch's front panel
- Change the login password
- Re-configure the switch's IP address

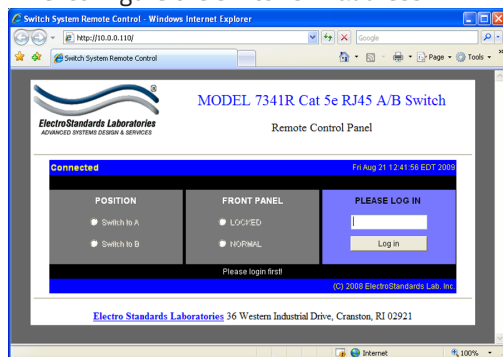
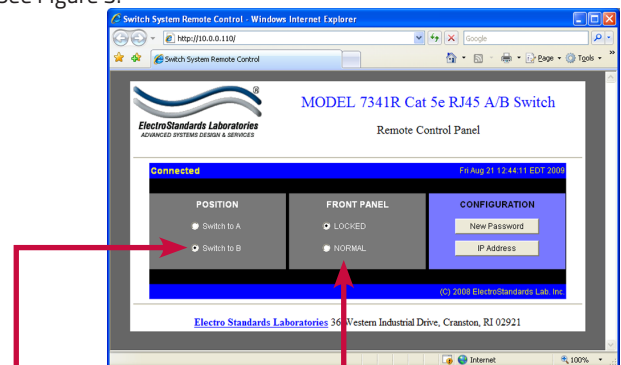


Figure 2: Logging into the GUI

#### CHANGING POSITION AND LOCK STATUS

To change the switch position, click on the radio button "A" or "B" as desired. Locking and unlocking the front panel pushbutton can be done by clicking on the "Locked" or "Unlocked" radio buttons. See Figure 3.



Switch position by selecting "A" or "B".

Lock and unlock the front panel operation

Figure 3: Change the position and lockout from the GUI