



Electro Standards Laboratories
ADVANCED SYSTEMS DESIGN & SERVICES



SPECIFICATIONS
MODEL 7412
Cat. No. 307412

PathWay® Model 7412 Quad Channel A/B Cat6 Switch with Telnet.

INTRODUCTION

The PathWay® Model 7412 Quad Channel Cat6 A/B Switch with SSL Remote allows the user the capability of sharing a single port interface device connected to the "COMMON" port among two other devices, connected to the "A" and "B" ports for each channel. Remote access can be accomplished using Ethernet 10/100Base-T.

Model 7412 is enclosed in a 1U, full rack size, all metal black chassis designed to provide EMI/RFI shielding and fit in a standard 19" rack.

FEATURES

- Independent and simultaneous channel switching locally via four front panel push buttons, or remotely via an RJ45 Ethernet remote port.
- Remote commands include position control, query of current switch position, and lock/unlock control of pushbuttons.
- Communicate with the switch via SSL.
- All (8) pins of the RJ45 interface are switched via break-before-make electromechanical relays.
- RJ45 ports are transparent to data.
- LED indicators on the front panel display switch position and power status.
- Certified for Cat6 performance. (10/100/1000 Networks), 10-Gig.**
- Switch maintains position and continues to pass data during power loss.
- Switch powers up in last known position.
- All ports located on rear panel.
- External 120-240VAC, 50-60Hz wall mount power supply included.
- One year warranty against defects on manufacturer parts and labor.



SPECIFICATIONS:

PORT CONNECTORS: (12) RJ45 female connectors labeled A, B, and COMMON (individual channel control).

FRONT PANEL CONTROL: (4) Manual pushbuttons allow local switching.

DISPLAY: (8) Front panel LED's display switch position and power status.

REMOTE: (1) RJ45 female connector on rear panel accepts 10/100 Base-T LAN Access Ethernet and **IP Addressable Ethernet** for remote control operation.

POWER: UL approved 120VAC-240VAC, 50Hz-60Hz wall mount power module supplies 12 VDC, 500 mA to the unit. Has 2-prong, US, non-polarized plug.

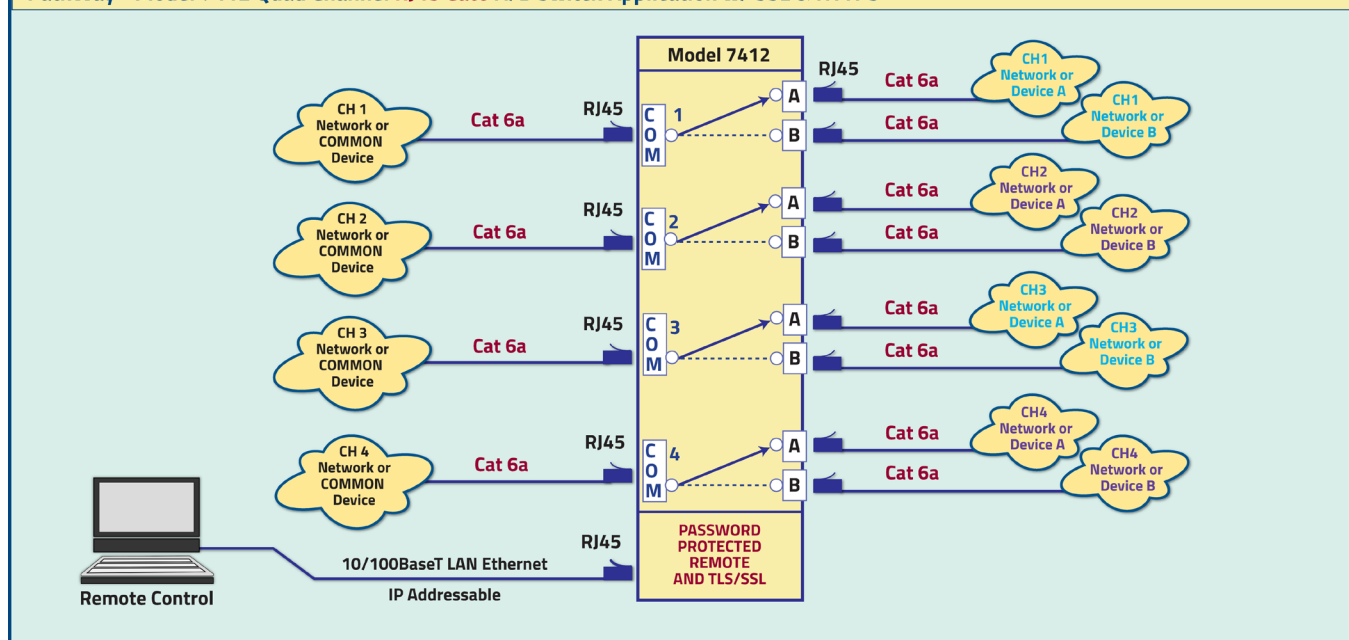
DIMENSIONS: Rackmount configuration 19.0" W x 1.75" H x 10.6" D. (48.3 x 4.4 x 25.6 cm).

WEIGHT: Approximately 4.6 lbs. (2.1 kg).

WIDE RANGE POWER OPTION AVAILABLE:

(Cat No 517277) **CE, RoHS, and UL** listed table mount power module, 100VAC-240VAC, 50Hz-60Hz for use in place of standard power module that is included with the unit. Has IEC 60320 C14 inlet. **Ideal for international applications.**

PathWay® Model 7412 Quad Channel RJ45 Cat6 A/B Switch Application w/ SSL & HTTPS



36 Western Industrial Drive, Cranston, RI 02921
Tel: 401-943-1164 Fax: 401-946-5790

www.ElectroStandards.com
E-mail: eslab@ElectroStandards.com