

PathWay® Model 7464 8-Channel RJ45 CAT5e A/B Switch with Telnet and GUI

- **Switch Eight Channels to an Alternate Path, Simultaneously!**
- **Ideal for Television Channel Distribution Applications!**

INTRODUCTION

The PathWay® Model 7464 8-Channel RJ45 Cat5e A/B Switch with Telnet and GUI allows the user the capability of sharing a single port interface device, connected to the "COMMON" port, among two other devices, connected to the "A" and "B" ports, for each channel. Remote Control access can be accomplished using an Ethernet 10/100BASE-T connection and either Telnet Commands or Graphical User Interface. The Model 7464 is enclosed in a 1U, full rack size, all metal black chassis designed to provide EMI/RFI shielding and fit in a standard 19" rack.

FEATURES:

- Each channel allows access to two RJ45 Cat5e networks from one COMMON network or device.
- The switch ports are transparent to all data.
- All (8) pins of the RJ45 interface are switched via break-before-make electromechanical relays.
- Simultaneous control of all channels.
- Front panel pushbutton control.
- Switch maintains position on power loss and continues to pass data.
- Control of the switch position from a 10/100Base-T LAN Ethernet environment.
- Remote Telnet Command Interface or Graphical User Interface that allows the user to control switch position, lockout front panel operations, obtain switch status, as well as query firmware version number, query serial number, and enable/disable autosend of switch positions.
- Remote control of the switch is password protected, where the password protection can be disabled.
- Front panel LED's display present position and power status.
- **Certified for Cat5e compliance.**
- Custom length RJ45 Cat5 cables available for your installation.



SPECIFICATIONS:

PORT CONNECTORS: (24) RJ45 female connectors labeled A, B, and COM for each of eight channels.

REMOTE CONTROL: (1) RJ45 female connector on rear panel accepts Ethernet 10/100Base-T connection and either TELNET commands or Graphical User Interface for remote operation.

LED's: (2) labeled A and B, indicate present position and power status.

CONTROL: (1) Pushbutton for local switch control.

POWER: UL approved 100VAC/240VAC, 50Hz/60Hz wall mount power module supplies 12 VDC, 500mA to the unit. Has 2-prong, US, non-polarized plug.

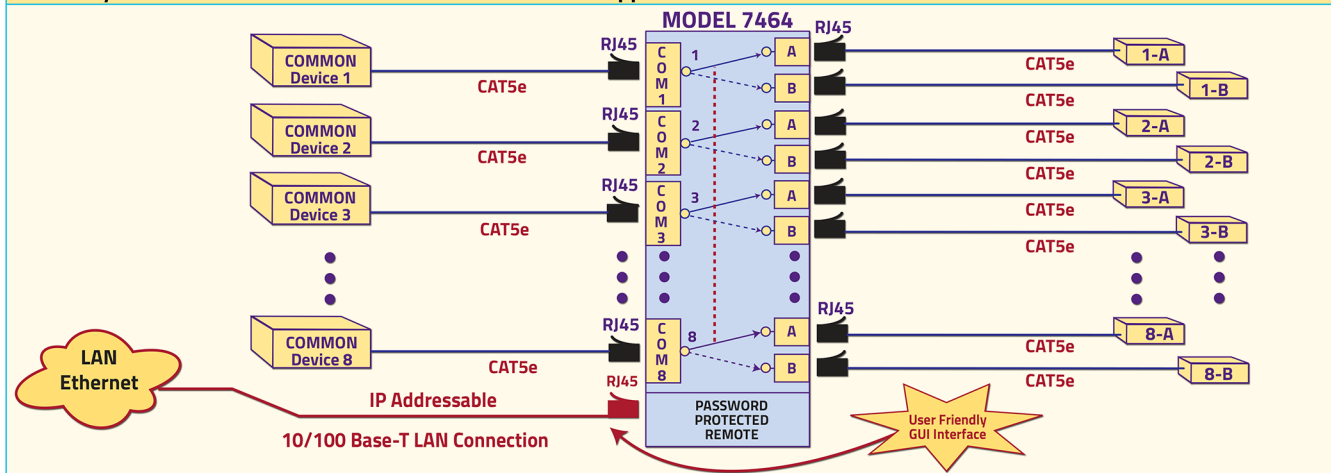
DIMENSIONS: 19.0" W x 1.75" H x 10.15" D.
(48.3 x 4.5 x 25.8 cm)

WEIGHT: Approximately 6.4 lbs. (2.9 kg)

WIDE RANGE POWER OPTION AVAILABLE:

(Cat No 517277) **CE, RoHS, and UL** listed table mount power module, 100VAC/240VAC, 50Hz/60Hz for use in place of standard power module that is included with the unit. Has IEC 60320 C14 inlet. **Ideal for international applications.**

PathWay® Model 7464 8-Channel RJ45 Cat5e A/B Switch Application with Telnet and GUI



Ethernet Remote Port, I.P. Addressable, with GUI

UTILIZING THE USER FRIENDLY REMOTE GRAPHICAL USER INTERFACE SOFTWARE

To connect to the switch from a workstation or computer having access to the LAN that the switch's LAN port is connected to, simply launch a standard web browser and type in the appropriate IP address. The Java Applet will be automatically uploaded from the switch upon connection. The environment requirement for the GUI is Java 1.7 and above.

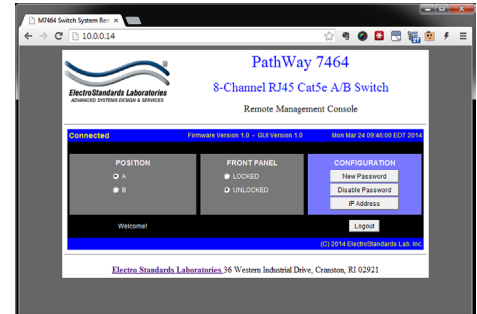


Figure 1: GUI in a Standard Web Browser

LOGGING INTO THE REMOTE CONTROL GUI

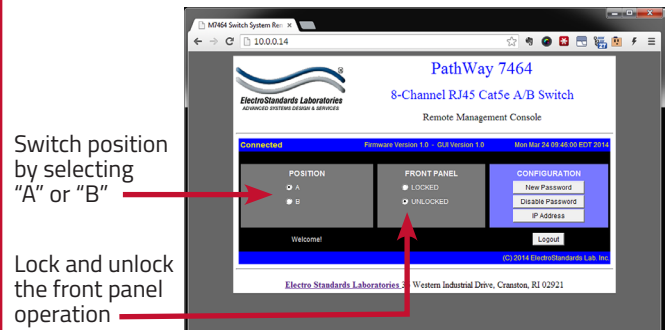
The default password to login to the switch is "111111". The password should be changed to something more secure as soon as the user first connects to the unit. Passwords must be 6 characters long. Note that the password can be disabled, and in this case, the login screen will not be seen.



Figure 2: Logging into the Remote GUI Control

CHANGING SWITCH POSITION AND LOCK STATUS

To change the switch position of a channel, click on the radio button "A" or "B" as desired for each channel. Locking and unlocking the front panel pushbuttons can be done by clicking on the "Locked" or "Unlocked" radio buttons for each channel.



Switch position by selecting "A" or "B"
Lock and unlock the front panel operation

Figure 3: Change the position and lockout from the GUI

QUERYING THE STATUS OF THE UNIT

Once connected, the GUI will stay up-to-date on the present position and status of the unit. Any changes that are made outside of the GUI, such as by pushbutton, will be reflected in the GUI. These changes will cause the radio buttons of the GUI to automatically change to show the new status. The GUI will report the source of the most recent change in the bottom left of the panel.

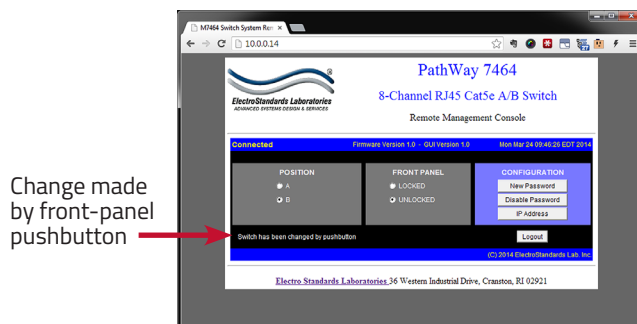


Figure 4: The GUI is alerted to changes in the unit status.

INFORMATION AND IP CONFIGURATION

The Remote Control GUI also provides access to unit information such as the firmware/software version.

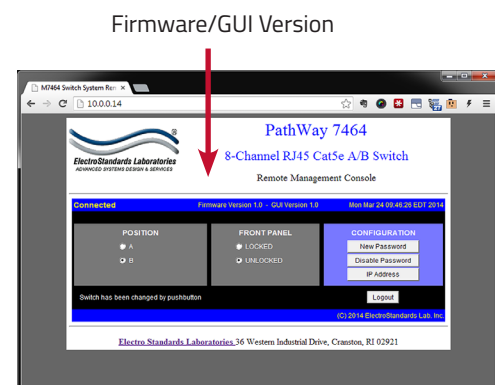


Figure 5: Remote Control GUI Information.