

LineSelect® Model 8164 3-Position RJ45 Cat5e Rotary Switch Assembly, No Enclosure

- High quality cabled RJ45 Cat5e A/B Switch, ready for installation into your custom enclosure.
- Applicable to switching ANY RJ45 interface devices.

INTRODUCTION

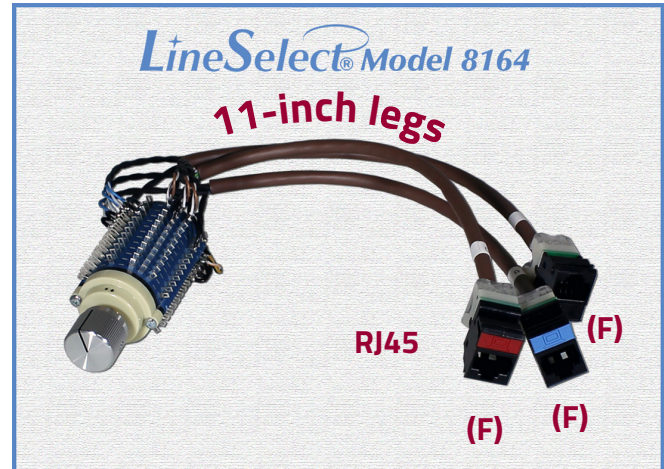
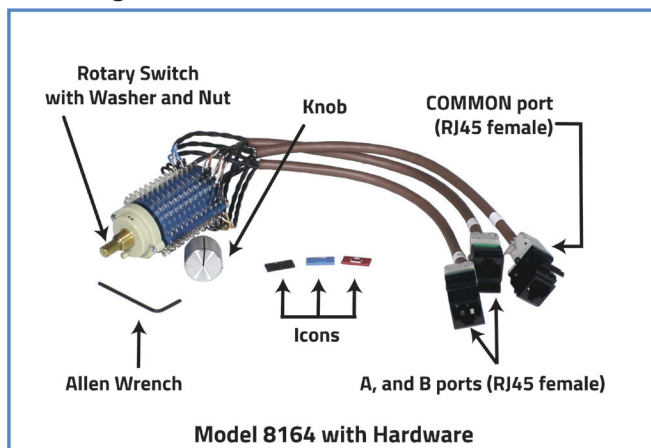
The **LineSelect®** Model 8164 3-Position RJ45 Cat5e Rotary Switch allows the user the capability of accessing two separate devices, ports A and B, via connection through a device connected to the Common port, or to connect ports A and B to each other. **The LineSelect® Model 8164 is provided as a rotary switch with cabled RJ45's for installation into any custom enclosure.** No power is required for operation.

FEATURES:

- (2) RJ45 female connectors labeled "A" and "B", and (1) RJ45 female connector labeled "COMMON".
- The switch ports are transparent to all data.
- All (8) pins of the RJ45 interface are switched via break-before-make rotary switch.
- No power required for operation.
- Switch and cabled RJ45's allow install into custom enclosures.
- **Leg Lengths: 11" (27.9 cm).**
- Certified for Cat 5e compliance.

COMPONENTS PROVIDED:

- **Rotary Switch with A/B/COM RJ45's** – The switch has the RJ45's soldered and labeled appropriately. The washer and nut for installing the switch is provided on the switch.
- **Knob** – To be installed on the rotary switch shaft to facilitate turning the switch. (P/N 502241).
- **Icons** – Blue/Black/Red icons (1 of each) provided that show a "Computer" image on one side and a "Telephone" image on the other. These are used to secure the RJ45 COMMON port once installed in an enclosure.
- **Allen Wrench** – The 1/16" Allen wrench provided for installing the knob. (P/N 507460).



SPECIFICATIONS:

PORT CONNECTORS: (2) RJ45 female connectors labeled "A" and "B", and (1) RJ45 female connector labeled "COMMON".

THREE SWITCH POSITIONS: (1) Rotary switch selects **COM to A, COM to B, or A to B.**

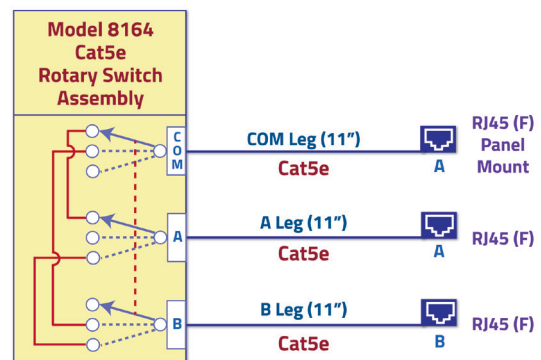
PINS SWITCHED: All 8 pins are switched.

POWER: No power required. Manually operated.

WEIGHT: Approximately, 0.2 lb. (0.4 kg)

LEG LENGTHS: 11" (27.9 cm)

CUSTOM LEG LENGTHS ARE AVAILABLE ON REQUEST. CALL FOR QUOTE.



Model 8164 Function Diagram