

LineSelect® Model 9126 Dual Channel Coaxial BNC A/B Switch Module, 50 Ohm

- High Quality Manual Data Network Switches Increase the Reliability of Your Network.
- Modular approach allows system expansion to meet your needs.
- Ideal for data, GPS, and test measurement coaxial networks!

INTRODUCTION

The **LineSelect®** Model 9126 switch module allows the user to switch a device connected to the COMMON port between devices connected to ports A or B for each channel. The **LineSelect®** Model 9126 is an open frame module designed to be installed in the Model 9025 Rack.

The Model 9025 Rack accommodates up to 8 **LineSelect®** Model 9126's. The Model 9025 is a 3U, full rack size chassis designed to fit in a standard 19" rack.

FEATURES:

- Each channel allows quick connection to any one of two devices from one COMMON device.
- Simultaneously switches both channels via front-panel rotary switch.
- Switches both the shield and center conductor of the coaxial interface via break-before-make rotary switch.
- High quality sealed switch with self-wiping low impedance contacts.
- The ports are transparent to all data.
- No external power required. Manual operation.
- Switch case is a rugged aluminum enclosure for EMI/RFI shielding.
- **Up to eight Model 9126 Switch Modules can be housed in the Model 9025 Rack Chassis.**
- Lifetime warranty against manufacturing defects.
- Modular approach to switch requirements allows expansion to more channels on an as-needed basis.



SPECIFICATIONS:

PORT CONNECTORS: (3) BNC connectors labeled A, B and COMMON for each channel.

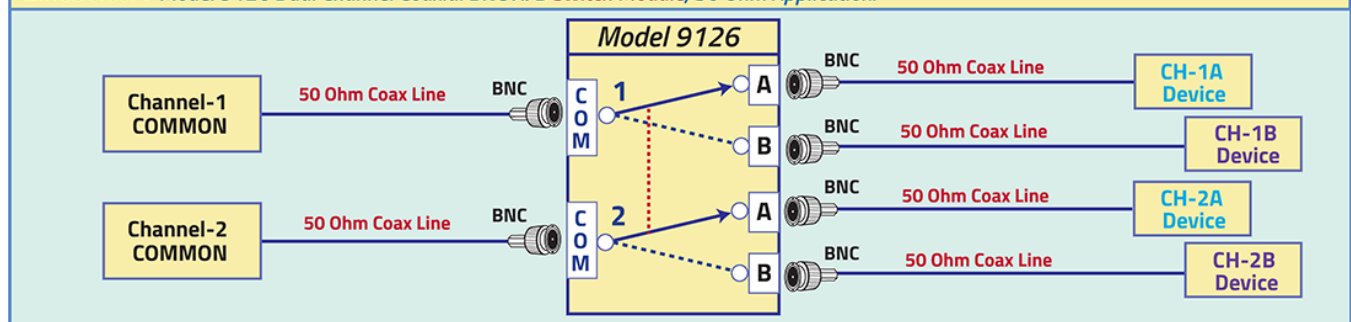
FRONT PANEL CONTROL: (1) Rotary switch on front panel selects A or B.

POWER: No power required. Manually Operated.

DIMENSIONS: Module 1.98" W x 5.06" H x 7.15" D. (5.1 x 12.9 x 18.2 cm).

WEIGHT: Approximately 0.8 lb. (0.4 kg)

LineSelect® Model 9126 Dual Channel Coaxial BNC A/B Switch Module, 50 Ohm Application.



Model 9025 Rackmount Chassis for Switch Modules (Cat No. 305972)



Model 9025 (Cat. No. 305972) Rack Chassis supports Model 9126 (Cat. No. 309126) switch module. Shown here are with optional filler panel. More filler panel sizes available!

FEATURES:

- Rackmount chassis supports multiple switch module chassis of various widths.
- Rack size 19" W x 5.25" H x 7" D. (3U height). (48.3 x 13.3 x 17.8 cm)
- Rack can accommodate up to eight 2-Ch. BNC A/B switch modules (2.0" W). (5.1 cm)
- Full opening for modules is 16.8" W. (42.7 cm)

Optional:

- Module rack filler panel, 2.0" W (5.1 cm), Cat No. 305983.
- Module rack filler panel, 0.8" W (2 cm), Cat No. 305981.